

PHOTOCELL 50LUX 230VAC

Photocell for night only operation for all OBSTA 230Vac

P/N : 100752

The ambient light sensor should be mounted upright, away from artificial light (eg., floodlights), and in a location that will enable its sensor window to have an unobstructed view of the polar sky (eg., pointed north in the northern hemisphere).



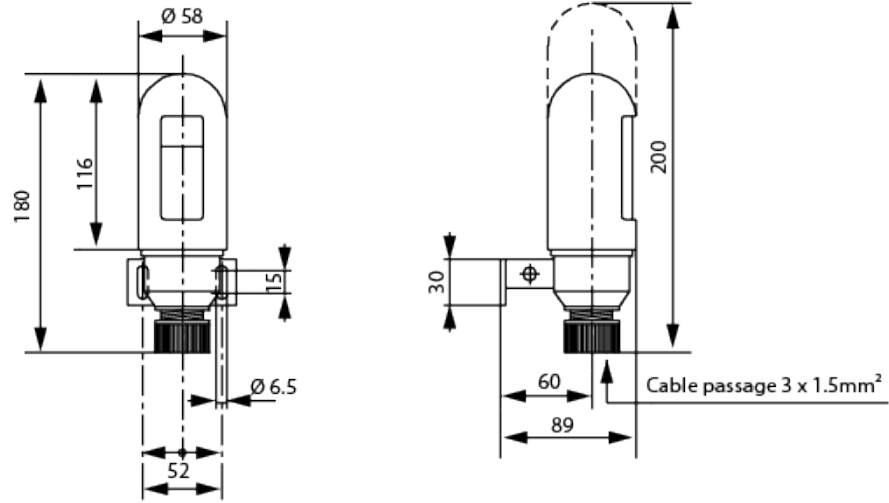
Key Points

- plug-in modular construction with plated contact surfaces
- automatic control of the red or dual obstruction lighting according to ambient light in compliance with FAA and ICAO twilight/night triggering level
- timer to prevent the functioning of the cell at inopportune times (lightning)

Electrical Characteristics		
Voltage		230VAC -10%/+15%
Average power consumption		1.5VA

Mechanical Characteristics		
Operating temperature		-25°C/+60°C
IP degree		IP67
Weight		300g
Wiring		by 3 screw terminals
Attachment		by harness and screws

Mechanical Characteristics



BRANCHEMENT

Wiring

