

OBSTA STI 48V

Cold neon discharge low intensity type A devoted to the night marking of all kind of obstacles supplied by a standalone DC power source in 48VDC

P/N : 113200

The OBSTA STI is a one piece moulded assembly which includes a constant power converter and the proper discharge lamp (5 turns). The OBSTA STI includes :

- a clear glass envelope,
- a constant-power converter,
- perfect watertightness,
- no requirement for a ground connection, which avoids any voltage return from the earth (for example due to lightning). The overall is thus considerably improved.

The OBSTA STI also includes :

- protection against transient overvoltage,
- circuitry to monitor the operation of the lamp and, in the event of failure, to trigger an alarm or light up an auxiliary lamp (if active redundancy circuits are used). The OBSTA STI is easy to install and requires no servicing.

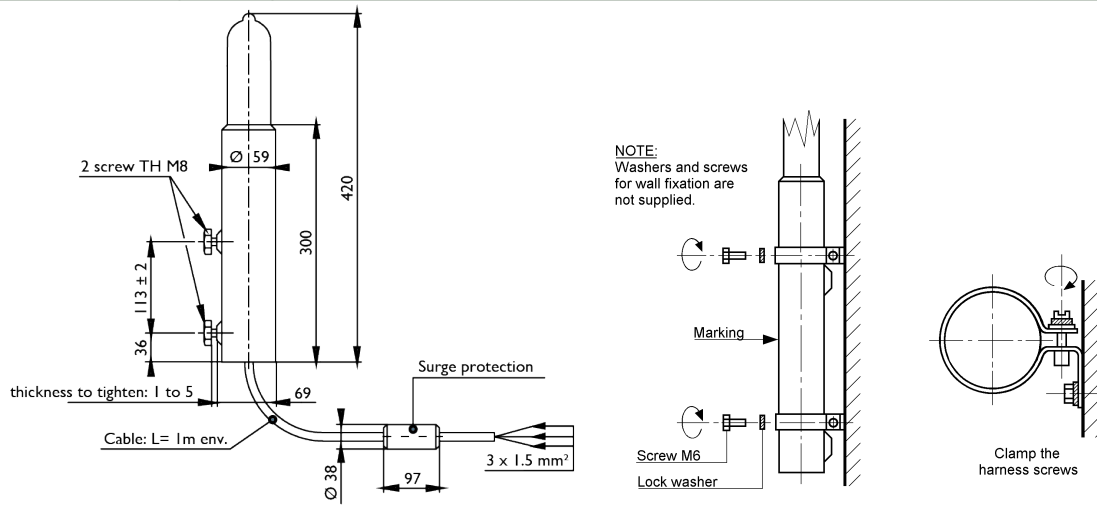


Key Points

- Excellent luminous intensity with a vertical beam much larger than ICAO requirement,
- Inherent generation of the «aviation» red,
- Perfectly waterproof, light in hard made in hard glass
- No grounding issue, class II
- All wiring configuration available
- Protected against transient overvoltages
- Alarm by returning +48V in case of lamp failure or low power

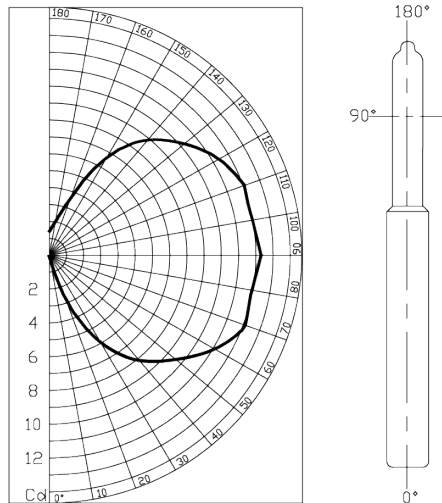
Electrical Characteristics		
Power supply		12 W
Current drawn		250 mA
Life time		10 years
Power supply		48VDC [-10%; +15%]
Mechanical Characteristics		
Operating temperature		-30/+60°C
Size of the light		420mm (height) x 69mm (over diameter)
IP degree		IP66
Weight		1,5 kg
Wiring		On stripped wires 3x1,5mm ² (cable lenght 1 meter) [2 power wires, 1 alarm wire]
Attachment		2 screws type M8 (provided). Thickness to screw into : 1 up to 5 mm

Mechanical Characteristics



Photometric Characteristics

Luminous intensity	> 10 Cd
Color night time	Red fixed
Vertical beam spread	>120°
Horizontal beam spread	360°



Standards

Standards compliance	ICAO annexe 14 chapter 6 (7th edition 2016), EASA (4th edition 2017)
----------------------	----------------------------------------------------------------------