

PHOTOCELL 500/50LUX 120VAC

Photocell for day/twilight and twilight/night change of light output in accordance with ICAO to be used with the high intensity type A

P/N : 113130

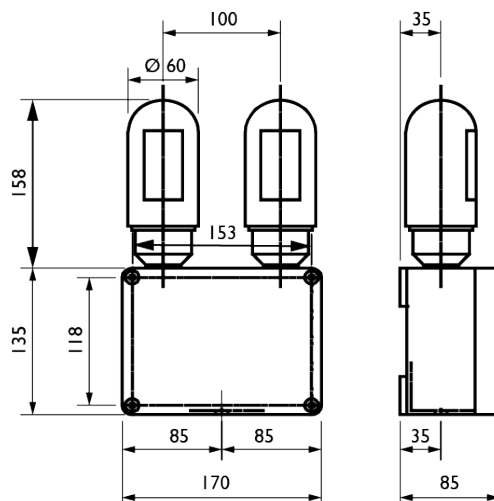
The ambient light sensor should be mounted upright, away from artificial light (eg., floodlights), and in a location that will enable its sensor window to have an unobstructed view of the polar sky (eg., pointed north in the northern hemisphere).



Key Points

- 2 plug-in photocell hard glass and aluminium with plated contact surfaces fixed on a junction box
- automatic control of the obstruction lighting according to ambient light day/twilight/night (ICAO settings: 500 lux and 50 lux)
- timer to prevent the functioning of the cell at inopportune times (lightning)

Electrical Characteristics	
Voltage	120VAC +/-10% 50/60Hz
Average power consumption	1.5VA
Mechanical Characteristics	
Operating temperature	-25°C/+60°C
IP degree	IP65 in vertical position
Attachment	4 screws type M4



Standards		
Standards compliance		ICAO annexe 14 chapter 6 (7th edition 2016), EASA (4th edition 2017)